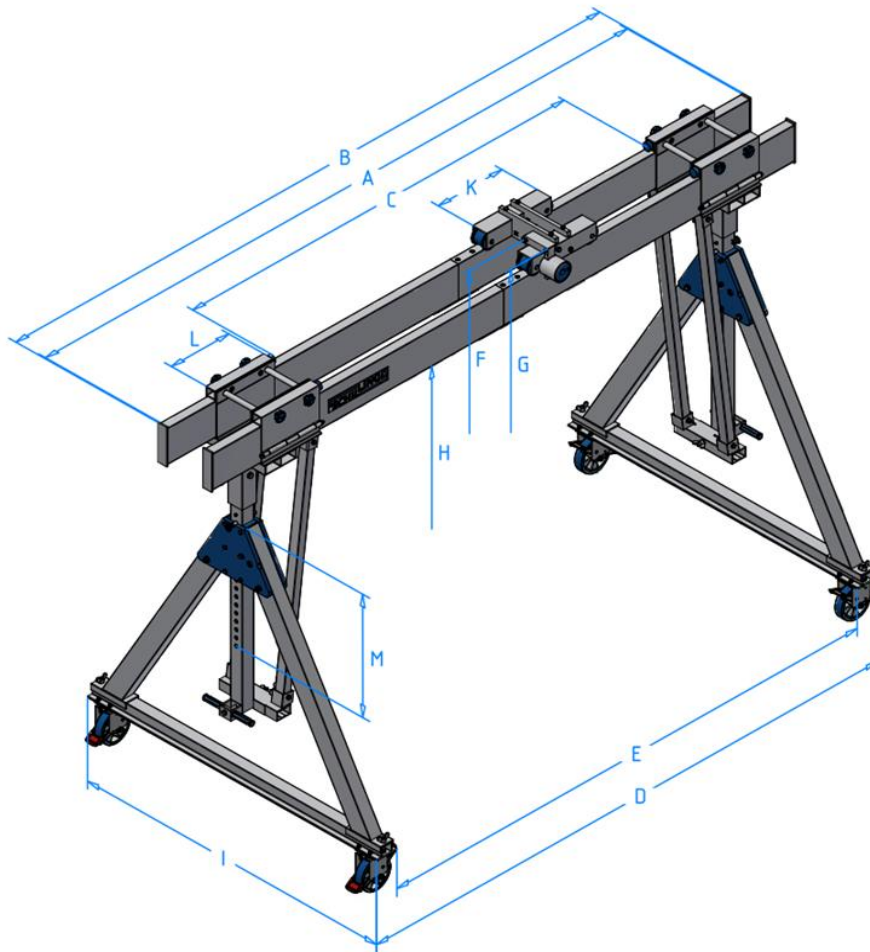


**ALUMINIUM GANTRY CRANE, movable under load**  
**load capacity 1.000 kg and 1.500 kg with double beam**  
**beam length 4.000 mm**



| item no.      | load capacity | beam length |       |        | total width of the crane |        | suspension point at the bolt of the trolley |      | total height |      | lower edge alu beam |      | lateral stand | park-brake trolley | horizontal adjuster | adjustment range | weight |
|---------------|---------------|-------------|-------|--------|--------------------------|--------|---|------|--------------|------|---------------------|------|---------------|--------------------|---------------------|------------------|--------|
|               |               | clear width | total | usable | outside                  | inside | min.  | max. | min.         | max. | min.                | max. | width         | width              | width               | beam support     |        |
|               | kg            | A           | B     | C      | D                        | E      | F   |      | G            |      | H                   | I    | K             | L                  | M                   |                  |        |
|               |               | mm          | mm    | mm     | mm                       | mm     | mm  | mm   | mm           | mm   | mm                  | mm   | mm            | mm                 | mm                  | mm               | kg     |
| <b>SMALL</b>  |               |             |       |        |                          |        |   |      |              |      |                     |      |               |                    |                     |                  |        |
| 14401040-10   | 1000          | 4000        | 4016  | 3158   | 4141                     | 3746   | 2055  | 2405 | 2155         | 2505 | 1788                | 2138 | 1488          | 480                | 421                 | 350              | 290    |
| 14401540-10   | 1500          | 4000        | 4016  | 3158   | 4141                     | 3746   | 2055  | 2405 | 2155         | 2505 | 1788                | 2138 | 1488          | 480                | 421                 | 350              | 290    |
| <b>MEDIUM</b> |               |             |       |        |                          |        |   |      |              |      |                     |      |               |                    |                     |                  |        |
| 14501040-10   | 1000          | 4000        | 4016  | 3158   | 4141                     | 3746   | 2533  | 3283 | 2633         | 3383 | 2266                | 3016 | 1988          | 480                | 421                 | 750              | 322    |
| 14501540-10   | 1500          | 4000        | 4016  | 3158   | 4141                     | 3746   | 2533  | 3283 | 2633         | 3383 | 2266                | 3016 | 1988          | 480                | 421                 | 750              | 322    |
| <b>HIGH</b>   |               |             |       |        |                          |        |   |      |              |      |                     |      |               |                    |                     |                  |        |
| 14601040-10   | 1000          | 4000        | 4016  | 3158   | 4141                     | 3746   | 2924  | 4074 | 3024         | 4174 | 2657                | 3807 | 2312          | 480                | 421                 | 1150             | 349    |
| 14601540-10   | 1500          | 4000        | 4016  | 3158   | 4141                     | 3746   | 2924  | 4074 | 3024         | 4174 | 2657                | 3807 | 2312          | 480                | 421                 | 1150             | 349    |